

OPTICAL SYSTEM

1. OPTIMAL ASYMMETRICAL DISTRIBUTION

Diffused Forward Throw Optics with High Efficiency Diffuser Properly Illuminates the Wall, Provides Even Illumination Across the Ceiling and Protects LED's from Dust and Debris

2. VERSATILE LIGHT ENGINE

Multiple Lumen Intensities Along With Various Up/Down Light Options to Provide the Correct Level of Illumination Within Each Space

3. EVENLY ILLUMINATED LOWER LENS

High Efficiency Diffuser Designed to Minimize Glare and Provide Uniform Light Distribution

ADA COMPLIANT HOUSING

4. ARCHITECTURAL DETAILS

Concealed Connection Point Between the Wall and Fixture Eliminates the Visibility of Hardware

5. SURE-FIT ALIGNMENT

6-Point Alignment System Adjoining Each Luminaire Section to Ensure Straighter Rows While Minimizing the Appearance of Seams

ELECTRICAL

6. OPTIONAL INTEGRAL EMERGENCY BATTERY PACK

UL Listed 924 Emergency System has been Engineered to Exceed UL Minimum Safety Standards.

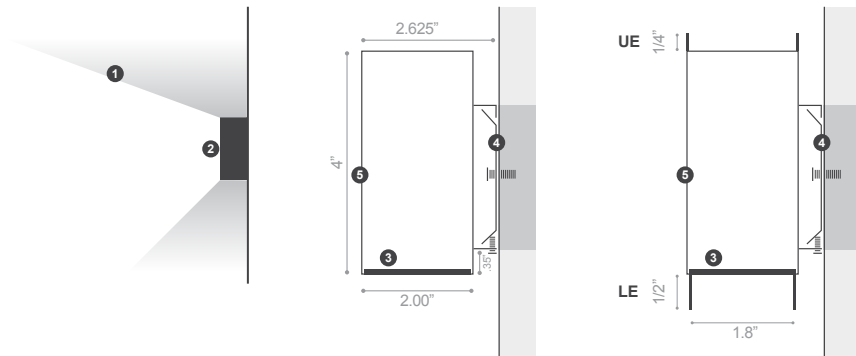
ILLUMINATED CORNERS

Precision Welded Illuminated 2-Foot x 2-Foot 90° Horizontal Corners are Available in a Variety of Options.

LIGHT DISTRIBUTION

CROSS-SECTION: SD

CROSS-SECTION: LE & UE



ORDERING GUIDE EX: W2-006-M-55-UNV-30-WM-S-0-10-EM-LE-UE

SERIES	LENGTH ¹	OUTPUT ²	RATIO ³ U/D	VOLTAGE	CCT	MOUNTING	COLOR	DIRECT OPTICS	ORDERING
									DIMMING
W2						WM			
	XXX FT 2 INCREMENTS EX: 4' = 004	H3 1400 LM/FT H2 1200 LM/FT H1 1000 LM/FT H 800 LM/FT M 600 LM/FT L 400 LM/FT C Custom	72 75/25 64 60/40 55 50/50 46 40/60 27 25/75 C Custom	UNV 120-277V	30 3000K 35 3500K 40 4000K	WM WALL MOUNT	W WHITE S SILVER G CHARCOAL GREY B BLACK	SD SYMMETRICAL DOWN LIGHT	0-10 1% 0-10V DIMMING DALI DALI DIMMING ND NO DIMMING

OPTIONS

¹ Nominal length	⁴ For cable lengths longer than 120' please consult factory	EM EMERGENCY BATTERY PACK	OS OCCUPANCY SENSOR	SS-U/D SEPARATE SWITCHING UPWARD/DOWNWARD
² Nominal lumens per foot	⁶ All non-aircraft cable mounting requires adder-fee	EC EMERGENCY CIRCUIT	DOS DUAL DAYLIGHT & OCCUPANCY SENSOR	CZ CUSTOM LINEAR ZONING
³ Ratio defined as percentage of light illuminated upwards versus percentage of light illuminated downwards	⁷ Contact factory for available configurations and additional lead times	ETS EMERGENCY TRANSFER SWITCH	C90 90 CRI	UE UPPER ILLUMINATED EDGE
⁴ 80 CRI standard	⁸ Standard EC Illuminates Entire 8' Fixture Section. For Custom Options Please Consult Factory	LE LOWER ILLUMINATED EDGE		



MECHANICAL

Housing Construction:

Extruded Aluminum 6063-T5 alloy outer housing with die-formed steel internal components for strength, alignment, and mounting attachment. Our high-quality die-cast end caps are engineered to conceal all fasteners and to retain the sealing gaskets on the inside of the fixture while completing the clean and minimalistic look of this luminaire.

Alignment/Assembly:

The Sure-Fit alignment system employs a four-point alignment and attachment method, designed to create straighter rows and minimize seams between sections (field assembled). Four alignment pins ensure the outer extruded aluminum rails are aligned, while a draw-screw secures housing-to-housing attachment.

Lengths:

The W2 is available in a minimum 2-foot (24") length with additional 2-foot (24") increments available. Longer fixture rows are available and will be configured per Lumato factory specifications; typical rows are configured with 8 foot fixtures.

Mounting Method/Hardware:

The Hidden-Connect design recesses or hides all attachment hardware. Standard mounting hardware includes a galvanized wall cleat with side to side adjusting for final alignment. Position all junction boxes in accordance with final manufacturer submittal drawings. Feed point is on the left hand mounting point for all products longer than 2'; All 2' products have a center feed point.

Exterior Finish:

The W2 is available in White, Black, Silver, or Charcoal Grey polyester powder coat finish to ensure durability. Luminaires are available in any RAL color as an option.

OPERATION

Light Engine:

The W2 is available in 3000K, 3500K & 4000K CCT all within a 2.5-Step MacAdam Ellipse and has a standard CRI of 80+ with a 90+ CRI option available.

Optics:

The back lit extruded acrylic lens ensures high-efficiency light output, in a minimal form factor for a clean, evenly illuminated lower surface with minimal glare. The optional Lower Illuminated Edge lens adds an elegant accent and reduces the side glare. The Upper Illuminated Edge extruded acrylic lens creates an illuminated reveal which gives a unique, sharp look to the luminaire.

Electrical:

Class 2 programmable (factory pre-set) premium power supply, 120-277VAC input. Power factor >0.9. THD <15%. Integral Surge Protection to 2KV.

Dimming:

The W2 comes standard with 0-10V dimming and DALI dimming is available as an option. The 0-10V control allows dimming down to 1% while DALI also allows for dimming to 5%.

Optional Controls:

The W2 is available with optional integrated daylight and occupancy sensors. Sensors extend the length of the luminaire and are located at the end of a row, near the power cord. Contact factory for custom locations.

ILLUMINATED CORNERS

Contact your sales associate for more information.

GENERAL

Warranty:

Five (5) year limited warranty from date of shipment, covers LED's, driver, and luminaire. Optional accessories are covered by their individual manufacturers warranties.

Lumen Maintenance:

Rated for 85% initial lumen output (L85) at 50,000 Hours of operation, operated at 25C ambient temperature; per TM-21 Guidelines published by the Illuminating Engineering Society (IES).

Certification

All Luminaires are UL and cUL Listed, approved for Dry/Damp locations.

Made in the USA

All Lumato Luminaires and Components (with the exception of our LED boards and drivers) are proudly manufactured and assembled in the USA.

PHOTOMETRICS

W2-004-M-55-UNV-30-SD-WZZ

Total Lumens: 2403

Ratio: 50% Up and 50% Down

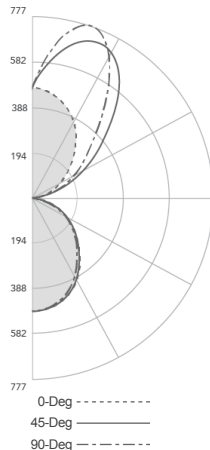
Wattage: 19.7

Efficacy: 122 (Lumens Per Watt)

Fixture Length: Four Feet

Zonal Lumen Summary

Zone	Lumens	% Fixt
0 - 30	362	15.1
0 - 40	571	24
0 - 60	971	40.4
0 - 90	1201	50
90 - 120	210	8.8
90 - 130	367	16.1
90 - 150	824	34.3
90 - 180	1200	50
0 - 180	2400	100



ENERGY CONSUMPTION

Watts Per Linear Foot

	H3:1400	H2:1200	H1:1000	H:800	M:600	L:400
75/25	10.76	9.23	7.91	6.60	4.94	3.60
60/40	10.94	9.50	8.11	6.71	5.08	3.66
50/50	10.53	9.38	7.96	6.55	5.02	3.57
40/60	10.65	9.16	7.81	6.46	4.90	3.52
25/75	11.78	9.75	8.25	6.75	5.22	3.68