



General Luminaire Installation Instructions

Slĕk Acoustic Series

WARNING

RISK OF DEATH, INJURY, OR PROPERTY DAMAGE FROM FIRE, ELECTRIC SHOCK, AND OTHER HAZARDS

- De-energize the circuit and/or equipment before connecting to, disconnecting from, or servicing electrical equipment
- Make sure the equipment is properly grounded.
- Read this document in full prior to installing, servicing, or maintaining this equipment. These instructions do not cover all installation, service, and maintenance situations. If your situation is not covered, or, if you do not understand these instructions or need additional information, contact Lumato at orders@lumato.com or your local Lumato distributor.
- Installation and maintenance must be performed by qualified personnel familiar with the construction and operation of this product. All applicable local, state and federal laws, codes and ordinances must be followed.

REQUIRED TOOLS

- Power Drill w/ #2 Philips Head Bit - Torque ≤ 10
- Wire Strippers
- Cable Cutter or Side Cutter
- Box/Beam Level
- Clorox (or similar) Cleaner
 - In case of lens smudge during installation



Slĕk Acoustic Series
2.13in x 7.06in

SAVE THESE INSTALLATION INSTRUCTIONS

Table of Contents

Mounting Options.....Page 3

SIĚk Acoustic Fixture

 Individual.....Page 4

Remote Power Unit.....Page 5-8

 Hanging HardwarePage 9-10

IMPORTANT

Luminaire and Remote Power Supply Part Number Matching

1. Luminaire and the Remote Power Supply Catalog Numbers must match except the following:
 - a. Remote Power Supply: -BXS, -BXL
 - b. Color Temperature
 - iii. Remote Power Supply: NO CCT (Color Temp) is in the catalog number.
 - c. Example: The Black "circled" characters must be the same to ensure the light illuminates correctly. Contact Lumato at orders@lumato.com for more questions.



Mounting Options

Slēk Acoustic Series

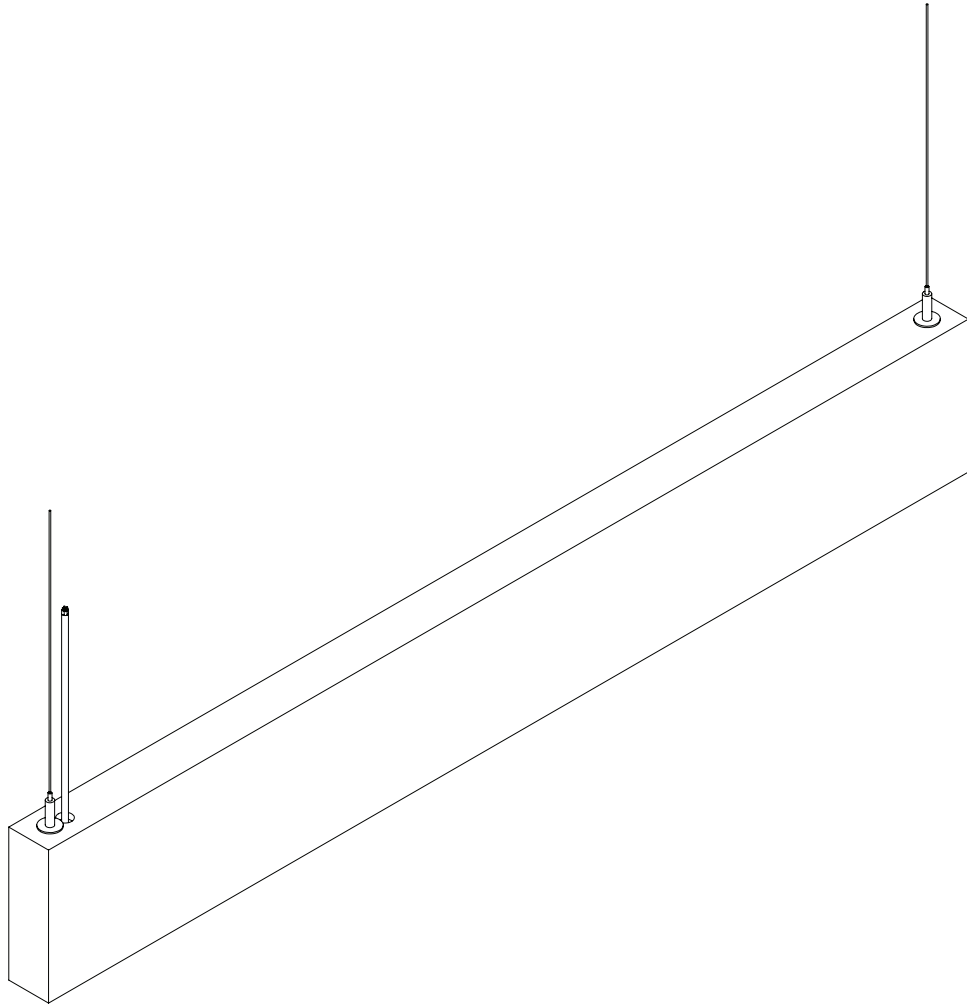
CABLE MOUNTING “ON GRID” (T1, T9, & SC)

- Linear suspended Slēk Acoustic Series luminaires intended for “On Grid” or “T-Bar Ceiling” cable mounting are to be installed with T1 (1” T-Grid), T9 (9/16” T-Grid), or SC (Screw Slot Grid) Feed and Hanger Kits. Feed and Hanger Kits are shipped in separate kitting boxes. See pages 6-7 & 10.

CABLE MOUNTING “OFF GRID” (HC & JB)

- Linear suspended Slēk Acoustic Series luminaires intended for cable mounting are to be installed with HC (Hard Ceiling) or JB (Junction Box) Feed and Hanger Kits. Feed and Hanger Kits are shipped in separate kitting boxes. See pages 8-9.

FIGURE 1



SAVE THESE INSTALLATION INSTRUCTIONS

Individual Fixture Installation

Slēk Acoustic Series

1. Locate and unpackaged fixture.
2. Locate the suspension cable locations as shown in the submittal drawing, suspend the fixture by feeding the 1/16" aircraft cable through each cable gripper. Move and level the fixture to specified position and tighten the cable gripper nut to lock the 1/16" steel cable.
3. Cut off excess aircraft cable with side cutters or similar.
4. Leave approximately 1/2" for minor adjustments. See Figure 3.

FIGURE 2

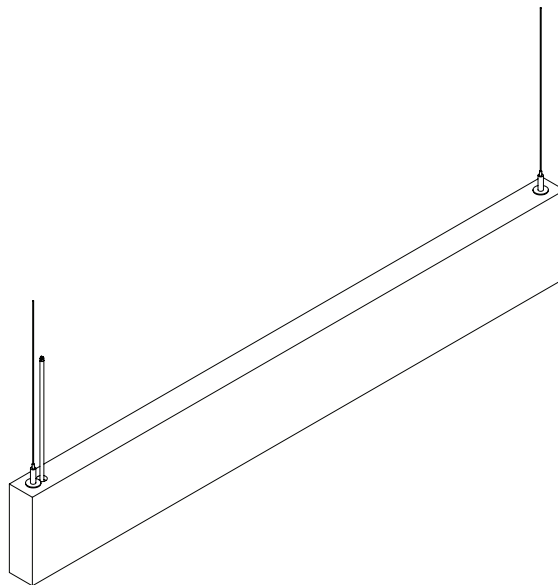
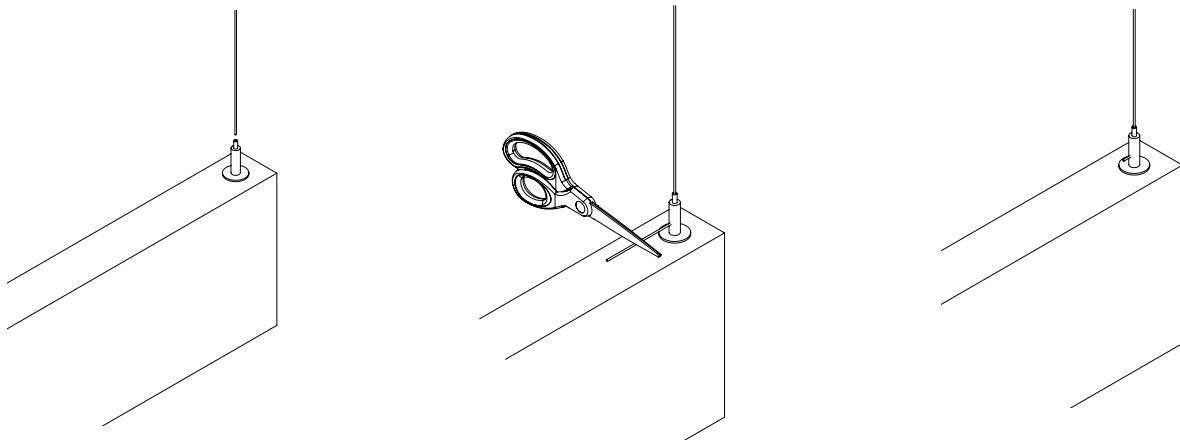


FIGURE 3



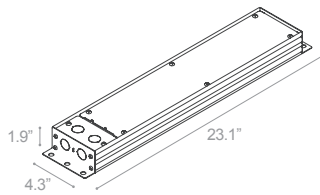
SAVE THESE INSTALLATION INSTRUCTIONS

Remote Power Unit

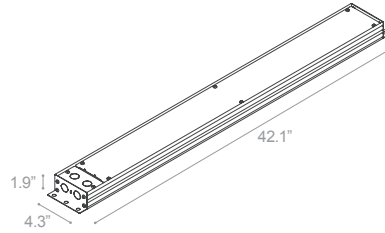
Slēk Acoustic Series

Figure 4

SHORT REMOTE POWER UNIT



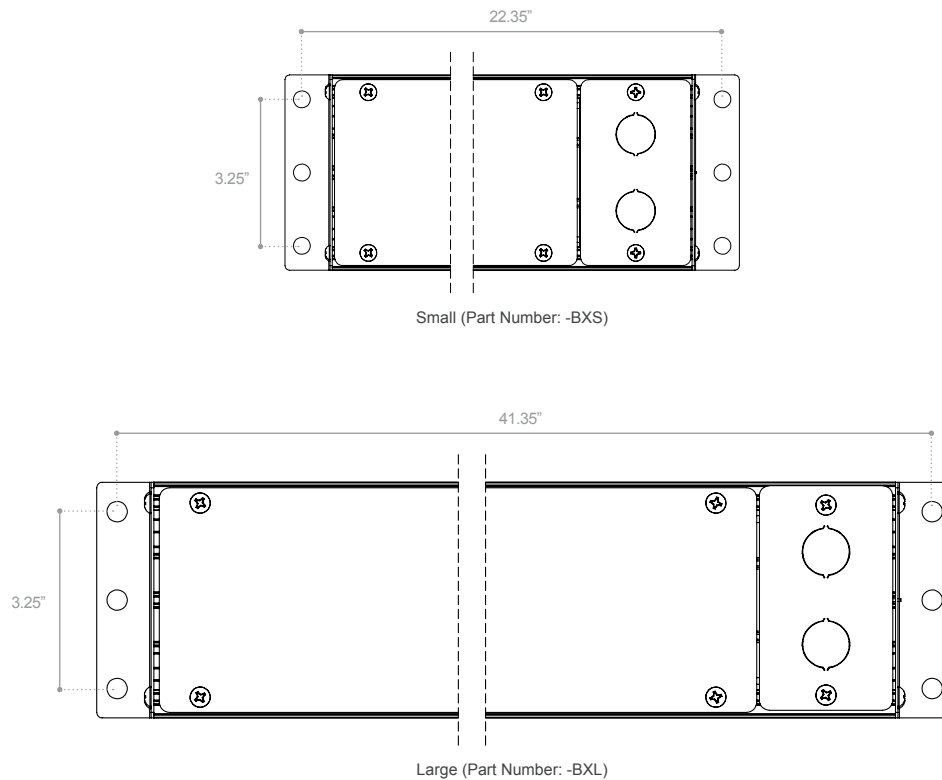
LONG REMOTE POWER UNIT



	SHORT REMOTE POWER UNIT	LONG REMOTE POWER UNIT
DISTRIBUTION		
Direct (SLA-D)	X	X
MOUNTING		
Surface	X	X
Grid (T1 - T9 - SC)	X	X
J-Box	X	X
ADD-ON OPTIONS		
Emergency Battery Pack (EM)		X
Emergency Transfer Switch (ETS)	X	X
IC RATED		
Approved		X

Figure 5

Mounting Hole Dimensions for T1, T9, SC, HC



SAVE THESE INSTALLATION INSTRUCTIONS

Remote Power Unit (Continued)

On Grid Mounting

T1, T9, SC Above Grid Install

1. Locate the correct remote power supply unit by referencing the submittal and match the remote power supply unit and the luminaire part number.

Luminaire	ABC - DE - FG	H - IJ - KLM	35	NO - P - QRS	TU
Remote Power Unit	ABC - DE - FG	BXS	H - IJ - KLM	NO - P - QRS	

2. Remove the side mount clip and reinstall on the back outside of the remote power supply where needed. See Figure 7.
3. Clip in the remote power supply on to the t-grid. See Figure 7.
4. Secure the remote power supply to structure support above with a minimum #12 gauge support wire in accordance with local, state, and federal codes. See Figure 7.
5. Remove connection cover compartment on the remote power supply and remove all needed knock-outs. See Figure 8.
6. Review wire legend and wire according to local, state, and federal codes. See Wire Legends below.

Figure 6

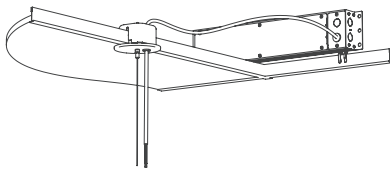


Figure 7

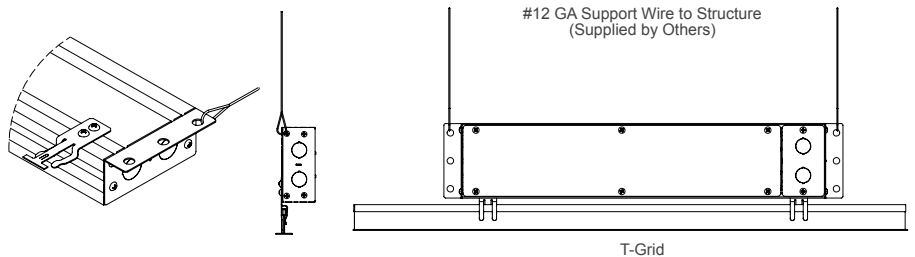
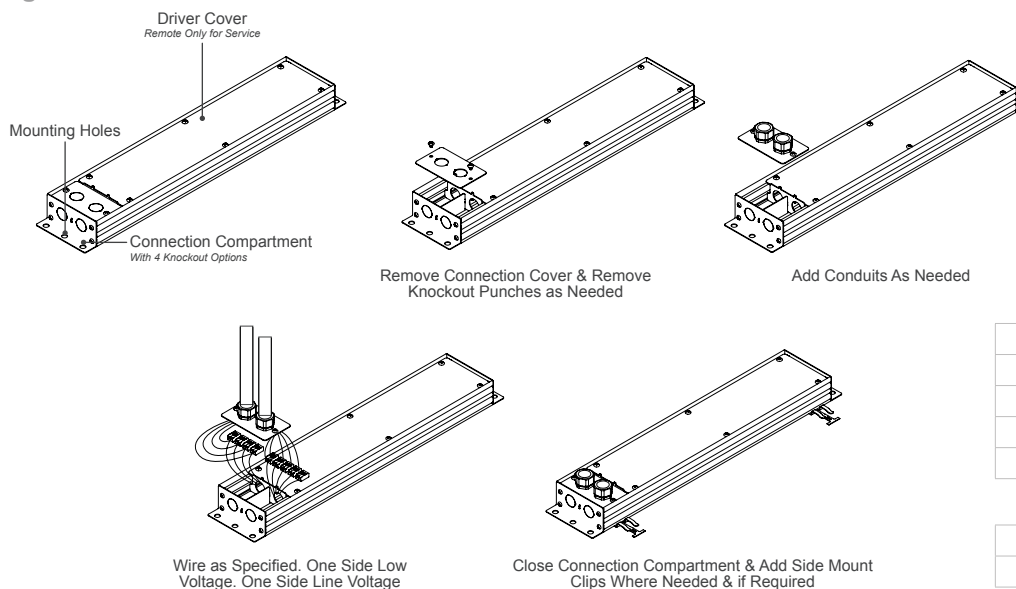


Figure 8



BUILDING SUPPLY WIRE LEGEND

BLACK	HOT	LINE VOLTAGE
WHITE	NEUTRAL	LINE VOLTAGE
GREEN	GROUND	
PINK	DIMMING	0-10V DC
PURPLE	DIMMING	0-10V DC

FIXTURE WIRE LEGEND

RED	LED (+)	48V DC
BLUE	LED (-)	48V DC

SAVE THESE INSTALLATION INSTRUCTIONS

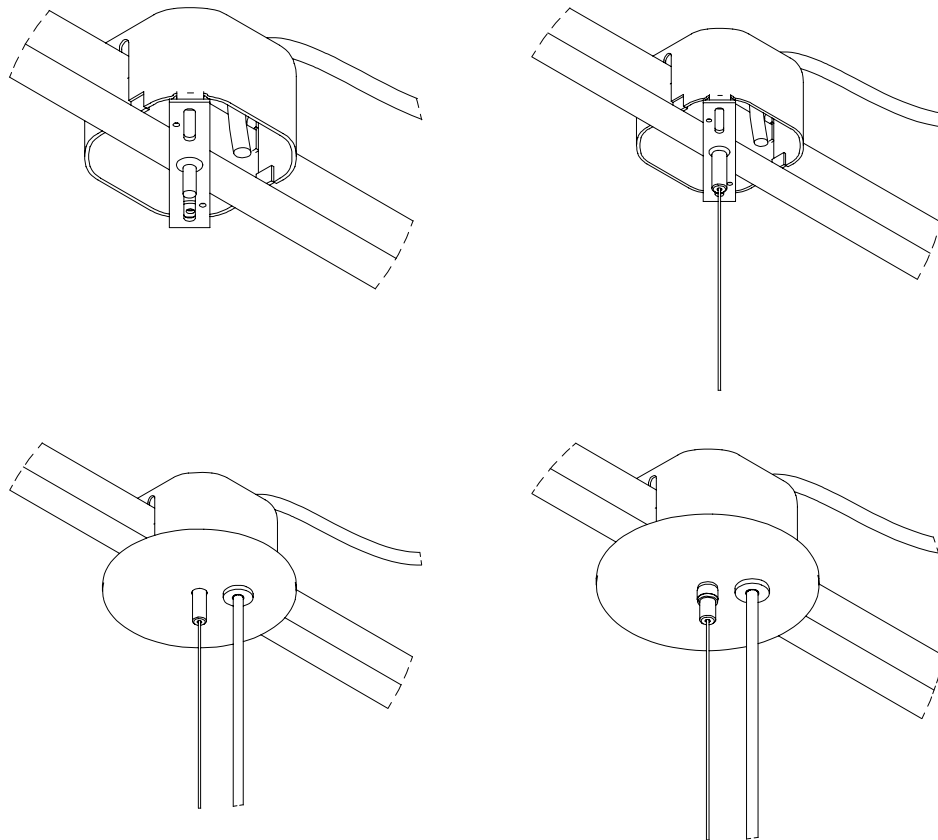
Hanging Hardware Installation

On Grid Mounting

T1, T9, SC Above Grid Install

1. Determine mounting cable spacing centers from factory shop drawing or ordering processing specification sheet.
2. Install Cross bracket (provided) and slotted 4" J-box (not provided). See Figure 9.
3. Insert AC cable supplied in kit through ceiling coupler in kit and attach it to the cross bracket.
4. Remove threaded canopy support ring from the coupler and slide the canopy into the AC Cable. Order of Parts can be see in Figure 9.
5. Insert AC Cable into the luminaire.
6. Feed the feed cable though the canopy and wire/feed through the J-Box per local, state, and federal codes.
7. Slide the canopy to the ceiling and secure with the support ring.
8. Install Strain relief and attach supplied tie straps around feed cord and cable at a minimum of 36" on center.

Figure 9



SAVE THESE INSTALLATION INSTRUCTIONS

Remote Power Unit (Continued)

Off Grid Mounting

HC Exposed Install

1. Locate the correct remote power supply unit by referencing the submittal and match the remote power supply unit and the luminaire part number.

Luminaire	ABC - DE - FG		H - IJ - KLM	35	NO - P - QRS	TU
Remote Power Unit	ABC - DE - FG	BXS	H - IJ - KLM		NO - P - QRS	

2. Remove the connection cover and Driver cover
3. Find the AC Gripper center on the remote power supply. Mount the remote driver to the ceiling with appropriate mounting hardware (not supplied). See Figure 11 and Figure 12 for mounting dimensions.
4. Reinstall the Driver cover.
5. Insert AC cable supplied in kit through ceiling coupler in kit and attach it to the cross bracket.
6. Feed the feed cable through the connection cover.
7. Review wire legend and wire according to local, state, and federal codes.
8. Reinstall the Connection cover and secure with the support ring.
9. Install Strain relief and attach supplied tie straps around feed cord and cable at a minimum of 36" on center.

BUILDING SUPPLY WIRE LEGEND

BLACK	HOT	LINE VOLTAGE
WHITE	NEUTRAL	LINE VOLTAGE
GREEN	GROUND	
PINK	DIMMING	0-10V DC
PURPLE	DIMMING	0-10V DC

FIXTURE WIRE LEGEND

RED	LED (+)	48V DC
BLUE	LED (-)	48V DC

Figure 10

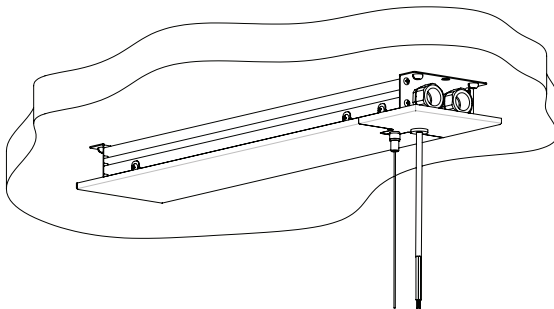


Figure 11

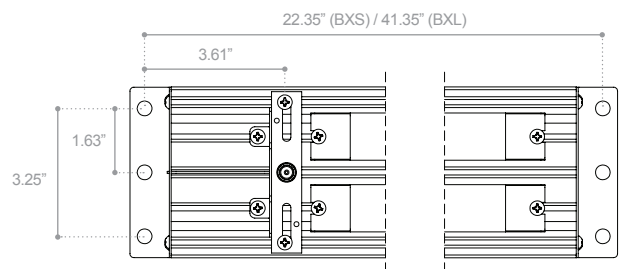
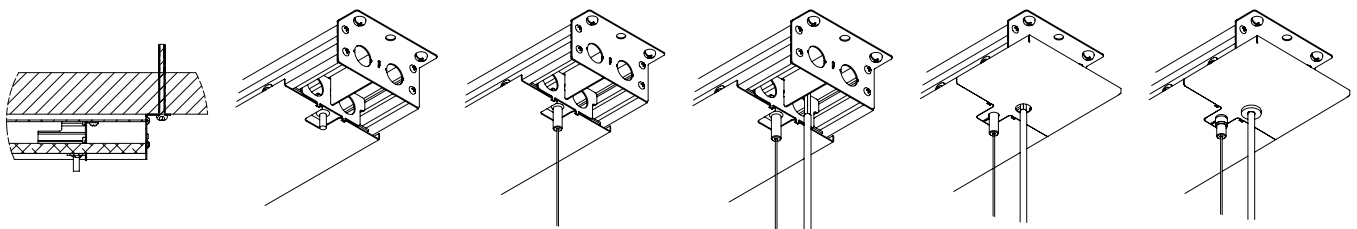


Figure 12



SAVE THESE INSTALLATION INSTRUCTIONS

Suspended Luminaire Installation Instructions

Off-Grid Mounting

NON FEED CABLE/CANOPY ASSEMBLY

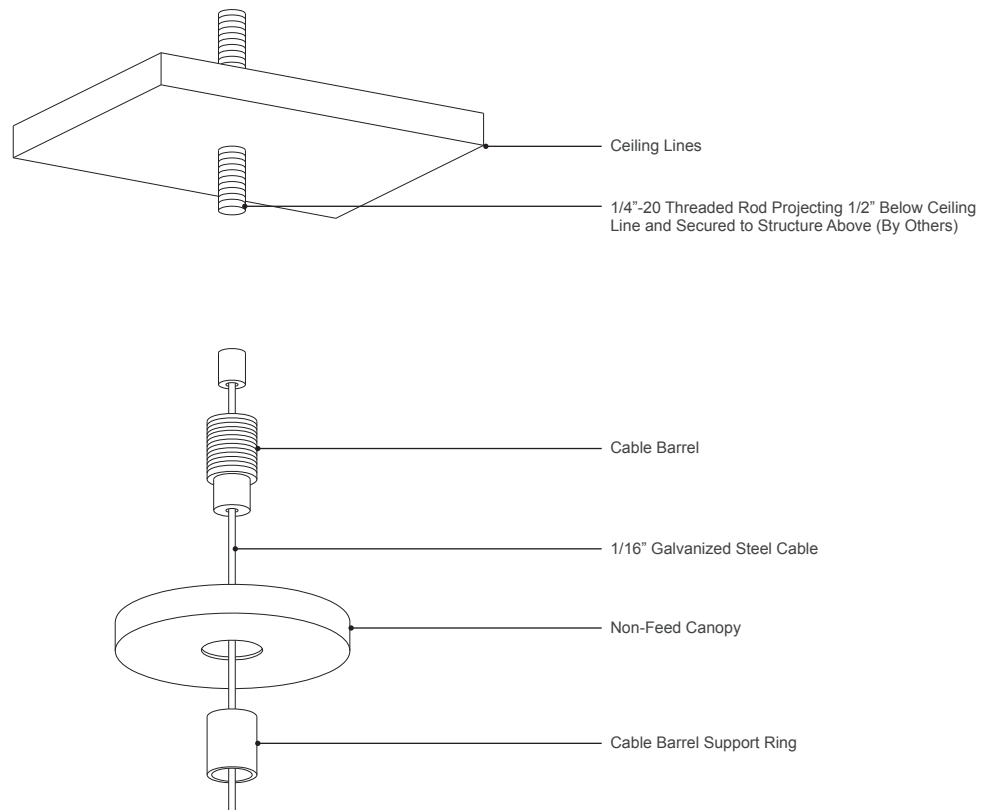
1. Determine mounting cable spacing centers from factory shop drawing or order processing specification sheet.
2. Install 1/4"-20 studs projecting from the finished ceiling line 1/2".
3. Insert cable supplied in kit through ceiling coupler in kit and attach to 1/4"-20 stud securely. Remove threaded canopy support ring from coupler and slide canopy then support ring over cable and up to finished ceiling line. Tighten support ring to locate canopy in place.
4. Raise luminaire to cable assembly and route cable through the center of the adjustable cable fitting loosening the locking cap enough to allow cable to enter fitting. Feed cable through the adjustable fitting until desired mounting height is attained. Luminaire will be retained at the last point of adjustment. Tighten locking cap onto retainer stem.

Note: if it becomes necessary to re-adjust luminaire height, loosen locking cap and depress retainer stem while adjusting to desired position.

WARNING

Be Certain To Support Luminaire Independently Of Cables When Depressing Retainer Stem.

Figure 13



SAVE THESE INSTALLATION INSTRUCTIONS

Suspended Luminaire Installation Instructions (Continued)

On-Grid Mounting

NON FEED CABLE/CANOPY ASSEMBLY

- Determine mounting centers from factory shop drawing or order processing specification sheet.
- Installation of IDS clip onto T-BAR at appropriate locations. See Step 1 & Figure 14.
 - Assemble 1/4"-20 stud and clip. Start stud into recessed square hole, grasp clip in hand and depress TAB A with thumb. Pull stud into place and release TAB A.
 - Separate clip into two parts by bending at TAB B.
 - Place PART X on T-BAR and insert base tab on part into slot. Close PARTS X and Y together locking with TAB C.
- Secure IDS clip to structural support above with minimum #12 gauge support wire in accordance with local, state, and federal codes. See Figure 15.
- Insert cable supplied in kit through ceiling coupler in kit and attach to 1/4"-20 stud on IDS clip securely. Remove threaded canopy support ring from coupler and slide canopy then support ring over cable and up to finished ceiling line. Tighten support ring to secure canopy in place.
- Raise luminaire to cable assembly and route cable through the center of the adjustable cable fitting, loosening the locking cap enough to allow cable to enter fitting. Feed cable through the adjustable fitting until desired mounting height is attained. Luminaire will be retained at the last point of adjustment. Tighten locking cap onto retainer stem.

Note: If It Becomes Necessary To Re-Adjust Luminaire Height, Loosen Locking Cap And Depress Retainer Stem While Adjusting To Desired Position.

WARNING

Be Certain To Support Luminaire Independently Of Cables When Depressing Retainer Stem.

Figure 14

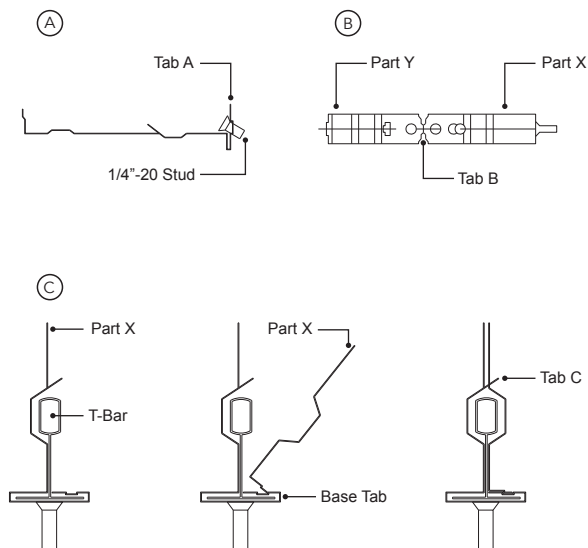
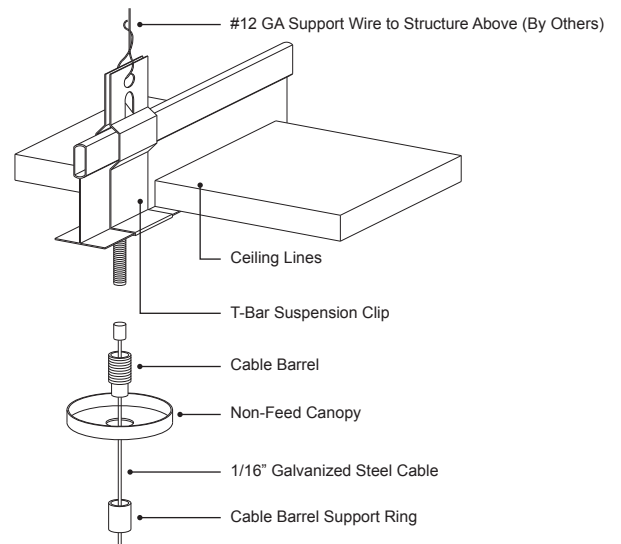


Figure 15



SAVE THESE INSTALLATION INSTRUCTIONS