

Ceiling Luminaire Installation Instructions

C2 & C3 Series Product

WARNING

To Reduce Risk Of Death, Injury Or Property Damage From Fire, Electric Shock And Other Hazards:

-The service of equipment must be performed by qualified personnel.

-Installation and maintenance must be performed by qualified personnel familiar with the construction and operation of this product and any hazards involved. All applicable local and national codes and ordinances must be followed.

-Read this document before installing, servicing, or maintaining this equipment. These instructions do not cover all installation, service, and maintenance situations. If your situation is not covered, or, if you do not understand these instructions or need additional information, contact Lumato Lighting or your local Lumato Lighting distributor.

WARNING

Before Installing, Servicing Or Maintaining This Equipment, Follow These General Precautions To Reduce The Risk Of Electrocution:

-Make sure the equipment is properly grounded.

-Always de-energize the circuit and/or equipment before connecting to, disconnecting from or servicing the equipment.

To Prevent Luminaire Row From Over-Current:

-By adding the input current of each luminaire section marked on the luminaire, the total current per power feed must not exceed the maximum line wire amperage rating in the luminaire and the power feed cord/wire amperage rating whichever is least.

CAUTION

It Is The Installers Responsibility To Ensure That Wall, Ceiling Or Junction Box Is Structurally Capable Of Supporting The Weight Of Luminaire/Luminaire Row.



C2
Direct
3.5in x 2in



C3
Direct
3.5in x 3in

SAVE THESE INSTALLATION INSTRUCTIONS

Ceiling Luminaire Installation Instructions

Individual Mounting

INDIVIDUAL LUMINAIRE INSTALLATION

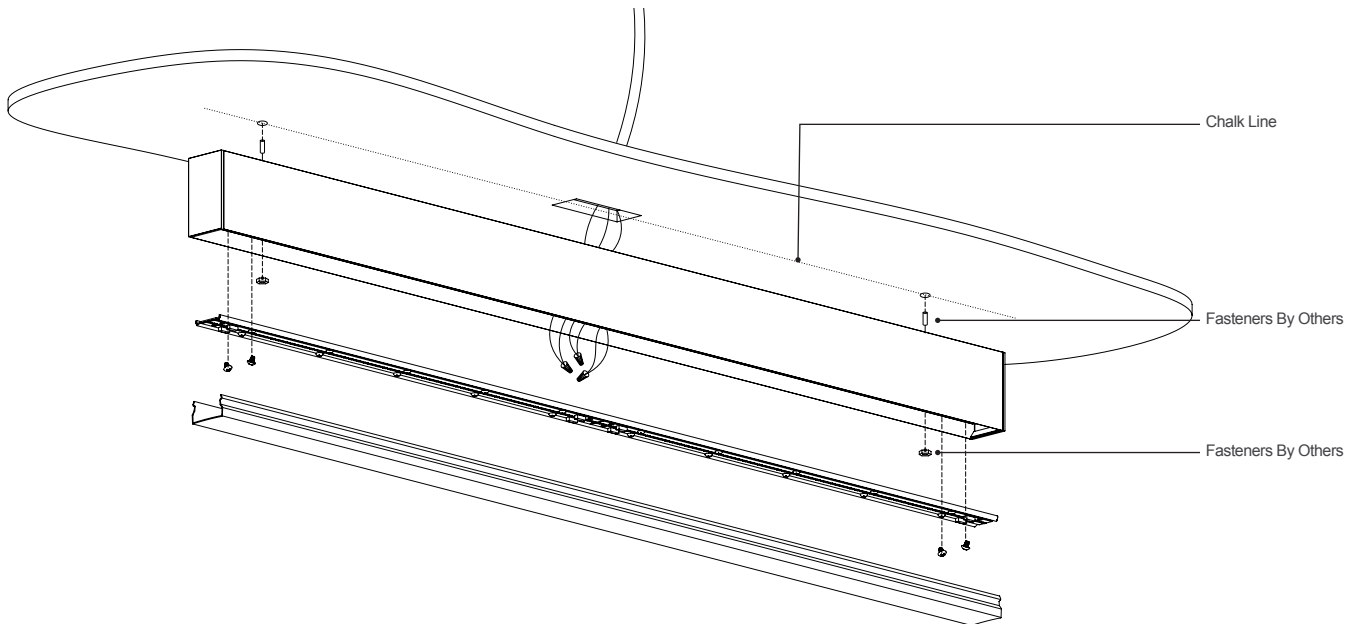
Ceiling Surface Mounting:

Linear luminaires intended for "Ceiling Surface Mounting" are to be installed with appropriate anchors "by others". The product and should be installed in accordance with these instructions.

Step One:

Remove lens and LED/Reflector tray and store safely aside. Use the fixture as a template to locate the mounting holes by centering fixture over recessed switch box, keeping box square to and on center lengthwise, mark appropriate quantity of mounting holes. (fig. 1) Mounting location(s) are also specified on factory shop drawings. Insure that all mounting points are on the same center line as the switch box installed. Please consult factory or your Lumato representative if you are not in possession of factory shop drawing. Drill appropriate holes for mounting surface and fasteners to be used. Securely attach housing to ceiling.

FIGURE 1



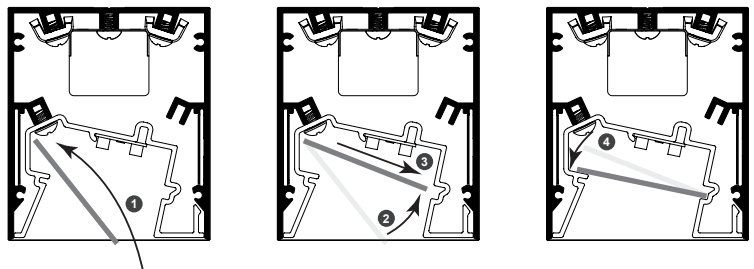
Step Two:

Make a wire connection as required to meet the intended function. Reassemble LED/Reflector tray in reverse fashion and ensure that there are no wires bound by the reflector as this will cause the lens to not fit correctly. For 2" wide product line only: When reinstalling the LED tray, hold it firm in the housing tracks, screw the first screw with just a few revolutions, move to the middle, and to the last screw before screwing the first screw all the way in. Not following this step will cause the LED Tray to slide out of position and interfere with the end cap or the next tray in a row. Reinstall lens.

Wall Wash lens installation:

The Lift and Shift lens installation is done in 4 easy steps.
The textured side of the lens must point downwards.

1. Lift the lens into the housing towards the mounting screw.
- 2-3. Swing the lens into the housing aiming it towards the retaining groove and slide into the groove.
4. Allow the lens to rest on the surface opposite of the retaining groove.



Ceiling Luminaire Installation Instructions

Row Mounting

CAUTION:

Attempt to assemble fixture rows on ground and lifting row into position may create stress at connection points and may result in damage and/or mechanical failure. It is best to perform the following tasks on a protective, elevated, stable surface to ease assembly and protect the fixtures. (Please also note this is to be done before attempting to mount the fixture run).

Ceiling Surface Mounting:

Linear luminaires intended for "Ceiling Surface Mounting" are to be installed with appropriate anchors "by others". The product and should be installed in accordance with these instructions.

Step One:

From center line of lengthwise mounted switch box(es), snap a lengthwise chalk line on ceiling to the right of J-box approximately the full of row to be installed.

Step Two:

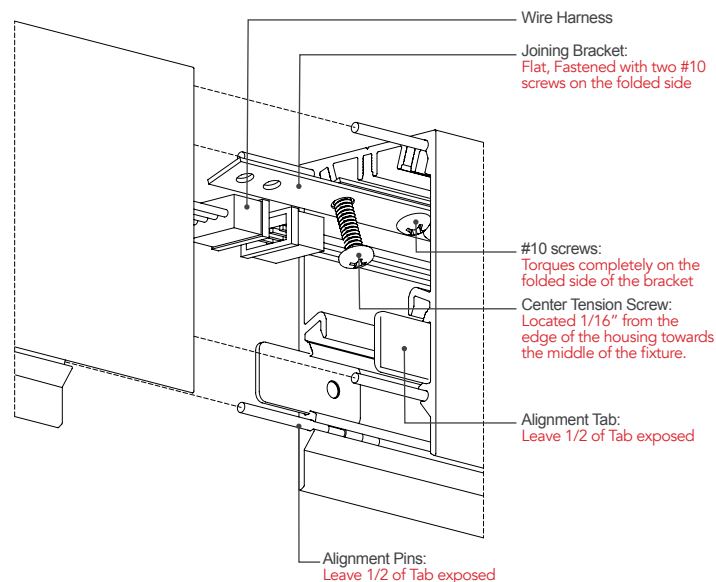
Remove the lens and LED Reflector tray(s) and store safely aside.

Locate and install the Joiner Kits (FIG. 2). See the packing list for quantities per run.

Insert 4 alignment pins and 2 alignment tabs into the housing so that they are extending out towards the fixture to be joined by $\frac{1}{2}$ " (FIG 2). Attached the Joiner Bracket with two #10 screws positioning it so that the Center Tension Screw is located $\frac{1}{16}$ " from the edge of the housing (towards the middle of the fixture). Joining fixture should mate easily leaving no gaps between housings.

Repeat this process for the balance of the fixtures in the run as need.

FIGURE 2



Ceiling Luminaire Installation Instructions

Step Three:

After determining and locating the suspension locations as shown at the end of this document "Row Information" and following the mounting instructions provided, attach the first fixture "RH End of Row Fixture" in the first fixture position in the row as shown. Tighten mounting screws on luminaire snug as to not allow luminaires to move when being aligned with next luminaire in a row at this time. (FIG. 3)

Step Four:

Position second fixture in a row (JOINER/INTERMEDIATE-ENDER) such that it aligns with the joint end of the first fixture as illustrated. (FIG.3) Make sure that all alignment hardware describes on Page 3 in (FIG. 2) are installed. It is also important to assemble an entire row on a flat, leveled, and elevated surface prior to the final ceiling installation to make sure that all alignment points fit together.

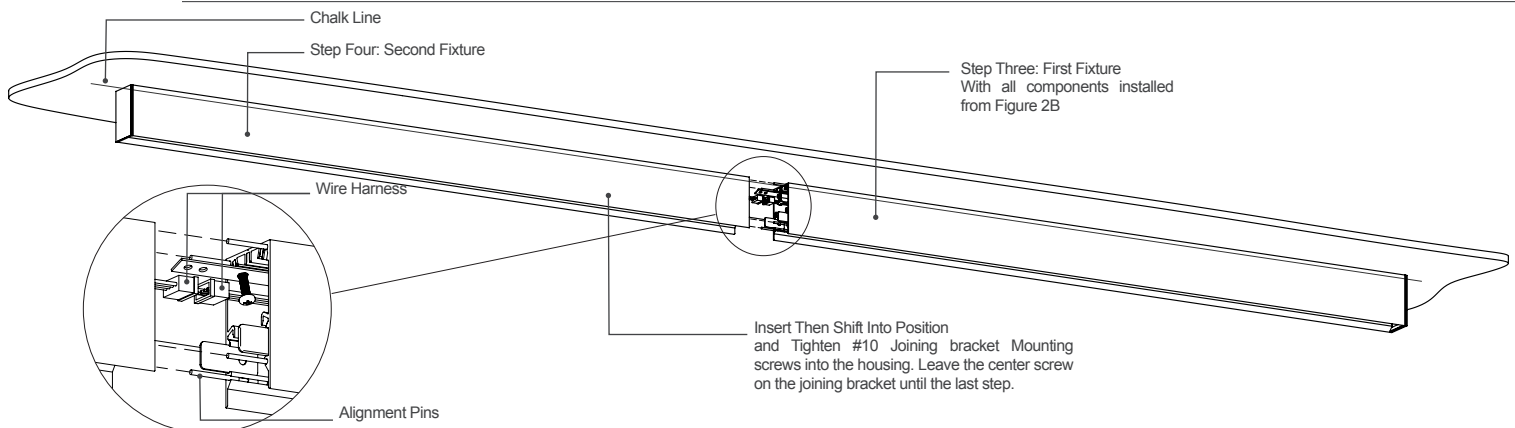
Step Five:

Plug luminaire wire harness together and push the excess wire back into wire-way. Push luminaires tightly together while making sure the alignment pins and tabs slide into the interior tracks of each luminaire. When both ends of the fixtures are flush, tighten the ceiling hardware/anchors "by others". When both fixtures are secured to the ceiling, screw in two #10 screws through the joining bracket plate (FIG. 4A)

Step Six:

Continue to install and assemble row referencing steps 3 and 4.

FIGURE 3



Step Seven:

Once all luminaires in a row are installed, tighten the Center Tension Screw on the joining bracket on all fixtures enough to hold luminaires snug to the mounting surface (FIG. 4B). Joining brackets are designed for a single-use. Contact the factory for the additional joining kits. Make a wire connection as required to meet the intended function. Reassemble LED/Reflector tray in reverse fashion and ensure that there are no wires bound by the reflector as this will cause the lens to not fit correctly. For 2" wide product line only: When reinstalling the LED tray, hold it firm in the housing tracks, screw the first screw with just a few revolutions, move to the middle, and to the last screw before screwing the first screw all the way in. Not following this step will cause the LED Tray to slide out of position and interfere with the end cap or the next fixture in a row. Power up the row and apply the Light Shield Tape below the joining tab. Do not let the bottom of the tape to show below the edge of the housing. Please refer to Page 2 for the Wall Wash lens installation. Reinstall lens(es) when all tape pieces are applied.

FIGURE 4A Shown in a cross-section for clarity

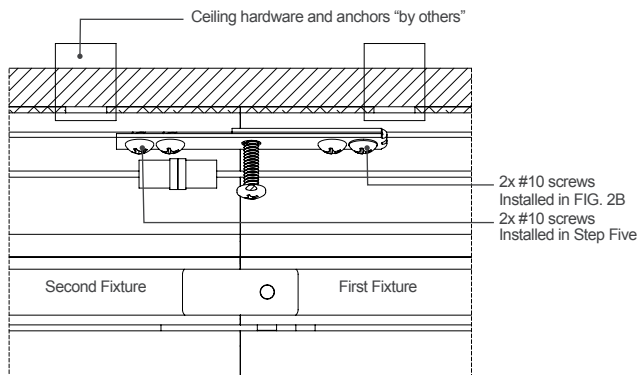


FIGURE 4B Shown in a cross-section for clarity

