



General Luminaire Ceiling Surface Mount Installation Instructions

C3 and C5 Series Products

WARNING

To Reduce Risk Of Death, Injury Or Property Damage From Fire, Electric Shock And Other Hazards:

- Service of equipment must be performed by qualified personnel.
- Installation and maintenance must be performed by qualified personnel familiar with the construction and operation of this product and any hazards involved. All applicable local and national codes and ordinances must be followed.
- Read this document before installing, servicing or maintaining this equipment. These instructions do not cover all installation, service and maintenance situations. If your situation is not covered, or, if you do not understand these instructions or need additional information, contact Lumato Lighting or your local Lumato Lighting distributor.

WARNING

Before Installing, Servicing Or Maintaining This Equipment, Follow These General Precautions To Reduce The Risk Of Electrocution:

- Make sure the equipment is properly grounded.
- Always de-energize the circuit and/or equipment before connecting to, disconnecting from or servicing the equipment.

To Prevent Luminaire Row From Over-Current:

- By adding the input current of each luminaire section marked on the luminaire, the total current per power feed must not exceed the maximum line wire amperage rating in the luminaire and the power feed cord/wire amperage rating whichever is least.

CAUTION

It Is The Installers Responsibility To Ensure That Ceiling Is Structurally Capable Of Supporting The Weight Of Luminaire/Luminaire Row.



C3 Direct
3.0in x 3.5in



C5 Direct
5in x 3.5in

SAVE THESE INSTALLATION INSTRUCTIONS

General Luminaire Ceiling Surface Mount Installation Instructions

Individual Mounting

INDIVIDUAL LUMINAIRE INSTALLATION

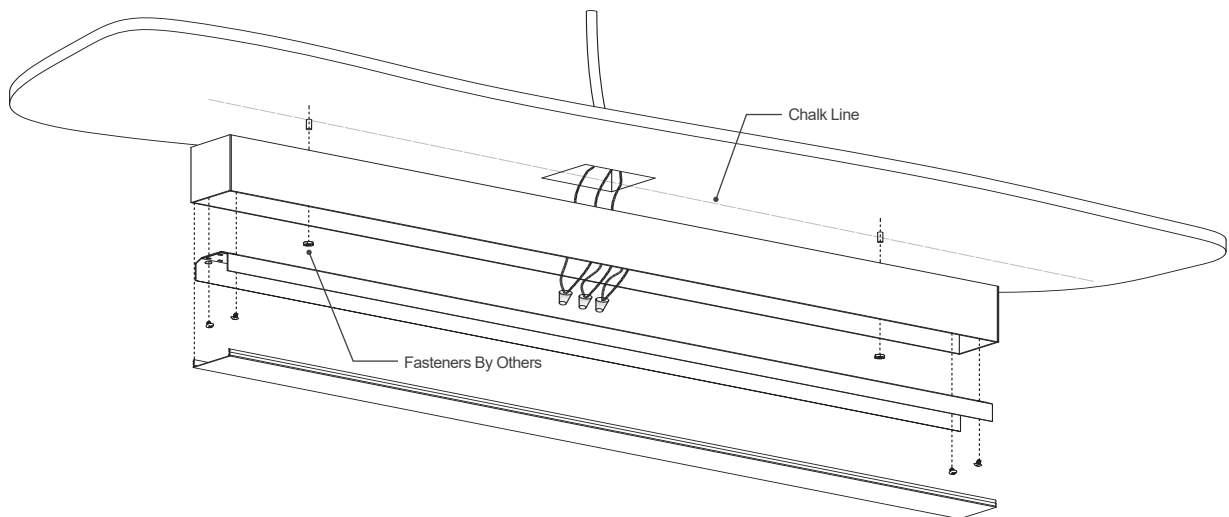
Ceiling Surface Mounting::

-Linear luminaires intended for "Ceiling Surface Mounting" mounting plate(s) are to be installed with appropriate anchors "by others". Product and should be install in accordance with these instructions.

Step One:

-Remove lens and LED/Reflector tray and store safely aside. Use the fixture as a template to locate the mounting holes by centering fixture over recessed switch box, keeping box square to and on center lengthwise, mark appropriate quantity of mounting holes. (fig. 1) Mounting location(s) are also specified on factory shop drawings. Insure that all mounting points are on the same center line as the switch box installed. Please consult factory or your Lumato representative if you are not in possession of factory shop drawing. Drill appropriate holes for mounting surface and fasteners to be used. Securely attach housing to ceiling.

FIGURE 1



Step Two:

-Make wire connection as required to meet intended function. Reassemble LED/Reflector tray in reverse fashion and insure that there are no wires bound by the reflector as this will cause lens to not fit correctly. Reinstall lens.

General Luminaire Ceiling Surface Mount Installation Instructions

Row Mounting

CONTINUOUS ROW LUMINAIRE INSTALLATION

CAUTION

Attempt To Assemble Fixture Rows On Ground And Lifting Row Into Position May Create Stress At Connection Points And May Result In Damage And/Or Mechanical Failure.

Step One:

-From center line of lengthwise mounted switch box(es), snap a lengthwise chalk line on ceiling to the right of J-box approximately the full of row to be installed.

Step Two:

-After removing from each luminaire the lens and LED/Reflector tray as instructed on previous page, locate on centers as specified on factory shop drawing or order guide supplied using chalk line as a center line guide. (fig. 2)

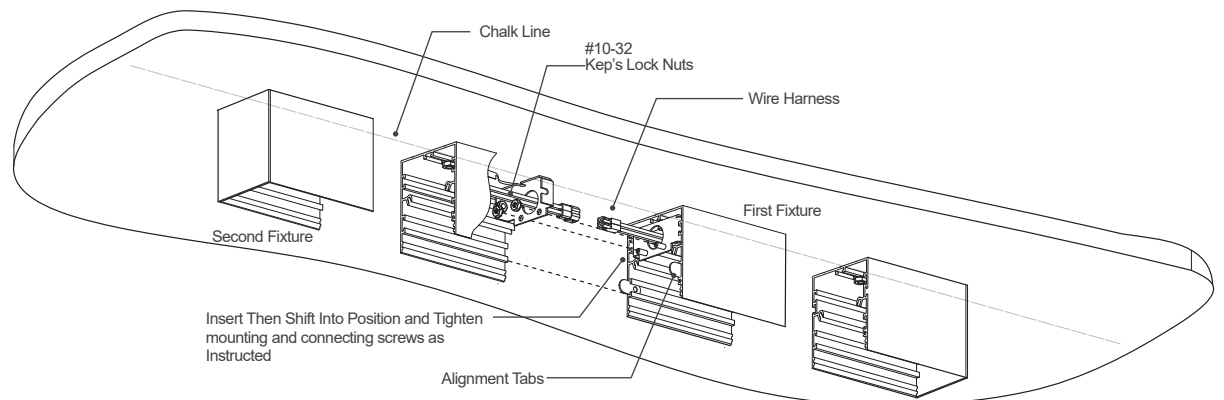
Step Three:

-Install first fixture in row (STARTER/RH EOR) following instructions on previous page. Tighten mounting screws on luminaire snug as to not allow luminaires to move when being aligned with next luminaire in row at this time. (fig.2)

Step Four:

-Position second fixture mounting plate in row (JOINER/INTERMEDIATE-ENDER) such that it aligns with joint end of first fixture as illustrated. (fig.2)

FIGURE 2



Step Five:

-Plug luminaire wire harness together and push excess wire back into wire-way. Push luminaires tightly together while making sure the alignment tabs slide into the interior tracks of each luminaire and span the luminaire joint. (fig. 4)

Step Six:

-Continue to install and assemble row referencing steps 2 and 3 from page 2.

Step Seven:

-Once all luminaires in row are installed, tighten mounting screws on all fixtures enough to hold luminaires snug to mounting surface. Make wire connection as required to meet intended function. Reassemble LED/Reflector tray in reverse fashion and insure that there are no wires bound by the reflector as this will cause lens to not fit correctly. Reinstall lens.