



## General Luminaire Installation Instructions

2SA Acoustic Series

### WARNING

#### RISK OF DEATH, INJURY, OR PROPERTY DAMAGE FROM FIRE, ELECTRIC SHOCK, AND OTHER HAZARDS

- De-energize the circuit and/or equipment before connecting to, disconnecting from, or servicing electrical equipment
- Make sure the equipment is properly grounded.
- Read this document in full prior to installing, servicing, or maintaining this equipment. These instructions do not cover all installation, service, and maintenance situations. If your situation is not covered, or, if you do not understand these instructions or need additional information, contact Lumato at [orders@lumato.com](mailto:orders@lumato.com) or your local Lumato distributor.
- Installation and maintenance must be performed by qualified personnel familiar with the construction and operation of this product. All applicable local, state and federal laws, codes and ordinances must be followed.

### REQUIRED TOOLS

- Screwdriver
  - For Junction Box access
- Wire Strippers
- Cable Cutter or Side Cutter
- Box/Beam Level
- Water and Mild Soap
  - In case of lens smudge during installation



2SA Acoustic Series  
2.875in x 7.083in

**SAVE THESE INSTALLATION INSTRUCTIONS**

## Table of Contents

---

Mounting Options.....	Page 2
<b>Mounting Details</b>	
On-Grid (T1, T9, SC).....	Page 3-5
Off-Grid (HC & JB).....	Page 6-8
<b>2SA Acoustic Fixture Installation</b>	
Individual.....	Page 9

## Mounting Options

---

### 2SA Acoustic Series

#### **CABLE MOUNTING “ON GRID”. (T1, T9, & SC)**

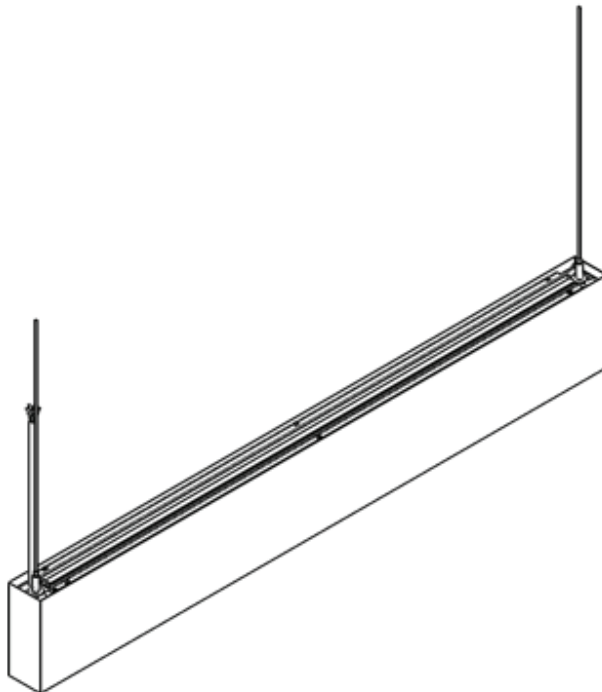
- Linear suspended 2SA Acoustic Series luminaires intended for “On Grid” or “T-Bar Ceiling” cable mounting are to be installed with T1 (1” T-Grid), T9 (9/16” T-Grid), or SC (Screw Slot Grid) Feed and Hanger Kits. Feed and Hanger Kits are shipped in separate kitting boxes. See pages 3-5.

#### **CABLE MOUNTING “OFF GRID”. (HC & JB)**

- Linear suspended 2SA Acoustic Series luminaires intended for cable mounting are to be installed with HC (Hard Ceiling) or JB (Junction Box) Feed and Hanger Kits. Feed and Hanger Kits are shipped in separate kitting boxes. See pages 6-8.

## Figure 1

---



**SAVE THESE INSTALLATION INSTRUCTIONS**

## Hanging Hardware Installation Instructions - T1, T9, & SC Grid

On-Grid Mounting

### NON FEED CABLE/CANOPY ASSEMBLY

**Step One:** Determine mounting centers from factory shop drawing or order processing specification sheet.

**Step Two:** Installation of IDS clip onto T-BAR at appropriate locations. (REF. STEP 1 AND FIG. 2)

A. Assemble 1/4-20 stud and clip. Start stud into recessed square hole, grasp clip in hand and depress TAB A with thumb. Pull stud into place and release TAB A.

B. Separate clip into two parts by bending at TAB B.

C. Place PART X on T-BAR and insert base tab on part into slot. Close PARTS X and Y together locking with TAB C.

**Step Three:** Secure IDS clip to structural support above with minimum #12 gauge support wire in accordance with local codes. (REF FIG. 2)

**Step Four:** Insert the 1/16" galvanized steel cable supplied in kit through ceiling coupler in kit and attach to 1/4-20 stud on IDS clip securely. Remove threaded canopy support ring from coupler and slide canopy then support ring over cable and up to finished ceiling line. Tighten support ring to secure canopy in place.

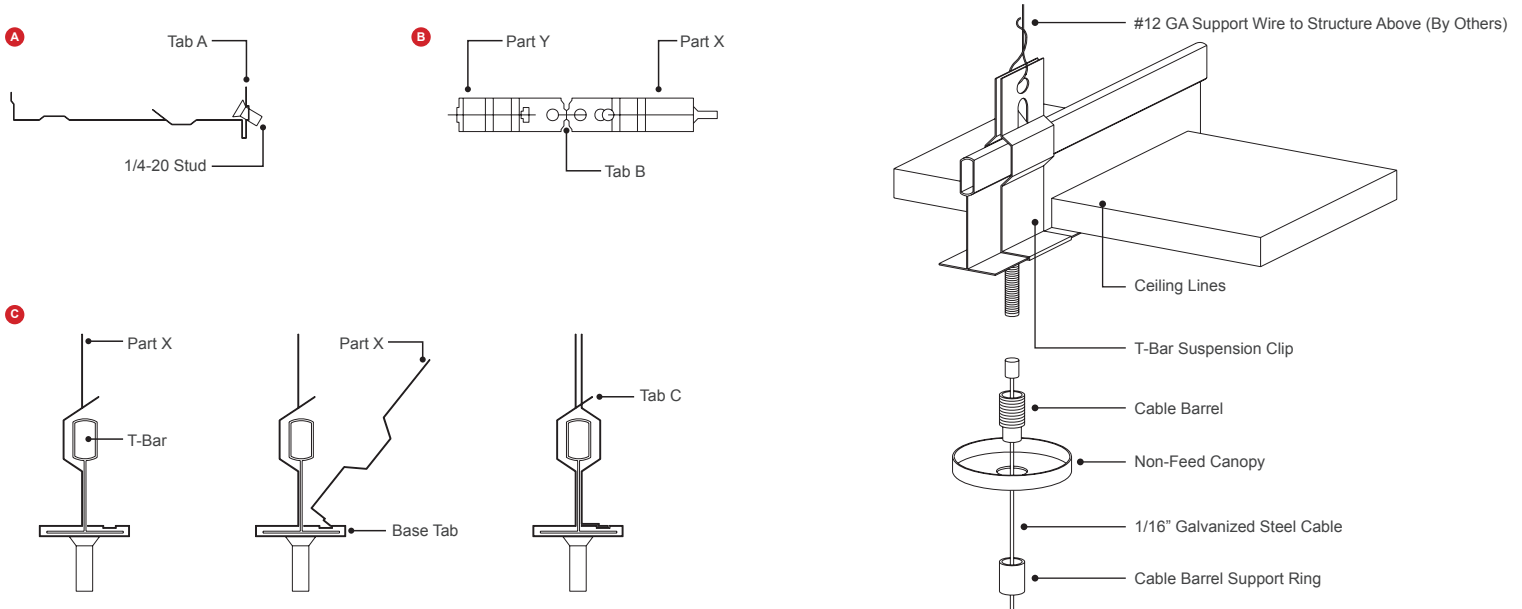
**Step Five:** Raise luminaire to cable assembly and route the 1/16" galvanized steel cable through the center of the adjustable cable fitting, loosening the locking cap enough to allow cable to enter fitting. Feed cable through the adjustable fitting until desired mounting height is attained. Luminaire will be retained at the last point of adjustment. Tighten locking cap onto retainer stem. (REF PAGE 2)

NOTE: If it becomes necessary to re-adjust luminaire height, loosen locking cap and depress retainer stem while adjusting to desired position.

### WARNING

**BE CERTAIN TO SUPPORT LUMINAIRE INDEPENDENTLY OF CABLES WHEN DEPRESSING RETAINER STEM.**

Figure 2



**SAVE THESE INSTALLATION INSTRUCTIONS**



## Hanging Hardware Installation Instructions - T1, T9, & SC Grid (Continued)

On-Grid Mounting

### FEED CABLE/CANOPY ASSEMBLY

**Step One:** Determine mounting cable spacing centers from the Fixture Row Layout Pages 5 - 7.

**Step Two:** Install 4" Drop Ceiling Junction Box (by others) over T-BAR (by others). Align the bottom edge of the Junction Box with the ceiling. Connect the conduit from the building power to the Junction Box. Attach the Cross Bar to the Junction Box.

**Step Three:** Insert the 1/16" steel cable supplied in the kit through the Coupler in the kit. Remove threaded Canopy Support Ring from Coupler. Attach Coupler to 1/4"-20 stud on Cross Bar securely.

**Step Four:** Remove the threaded Canopy Support Ring from Coupler. Slide 5" Canopy then Support Ring over the Coupler up to finished ceiling line. Tighten support ring to locate canopy in place.

**Step Five:** Raise luminaire to mounting/feed assembly and route the 1/16" steel cable through the center of the Adjustable Cable Gripper fitting loosening the locking cap enough to allow the 1/16" steel cable to enter fitting. Feed the 1/16" steel cable through the Adjustable Cable Gripper fitting until the desired mounting height is attained. The luminaire will be retained at the last point of adjustment. Tighten Locking Cap onto retainer stem.

NOTE: If It Becomes Necessary To Re-Adjust Luminaire Height, Loosen Locking Cap, And Depress Retainer Stem While Adjusting To The Desired Position.

**CAUTION**  
**BE CERTAIN TO SUPPORT LUMINAIRE INDEPENDENTLY OF 1/16" STEEL CABLES WHEN DEPRESSING RETAINER STEM.**

**Step Six:** SJT Cord comes installed on Fixture from the factory. Route feed power cord(s) from luminaire through the hole(s) in the canopy. Make wire connections within Junction Box with appropriate connectors and install Strain Relief as illustrated. Attach supplied tie straps around feed cord and cable at a minimum of 12" on center.

ENERGIZE AND CHECK FOR PROPER OPERATION.

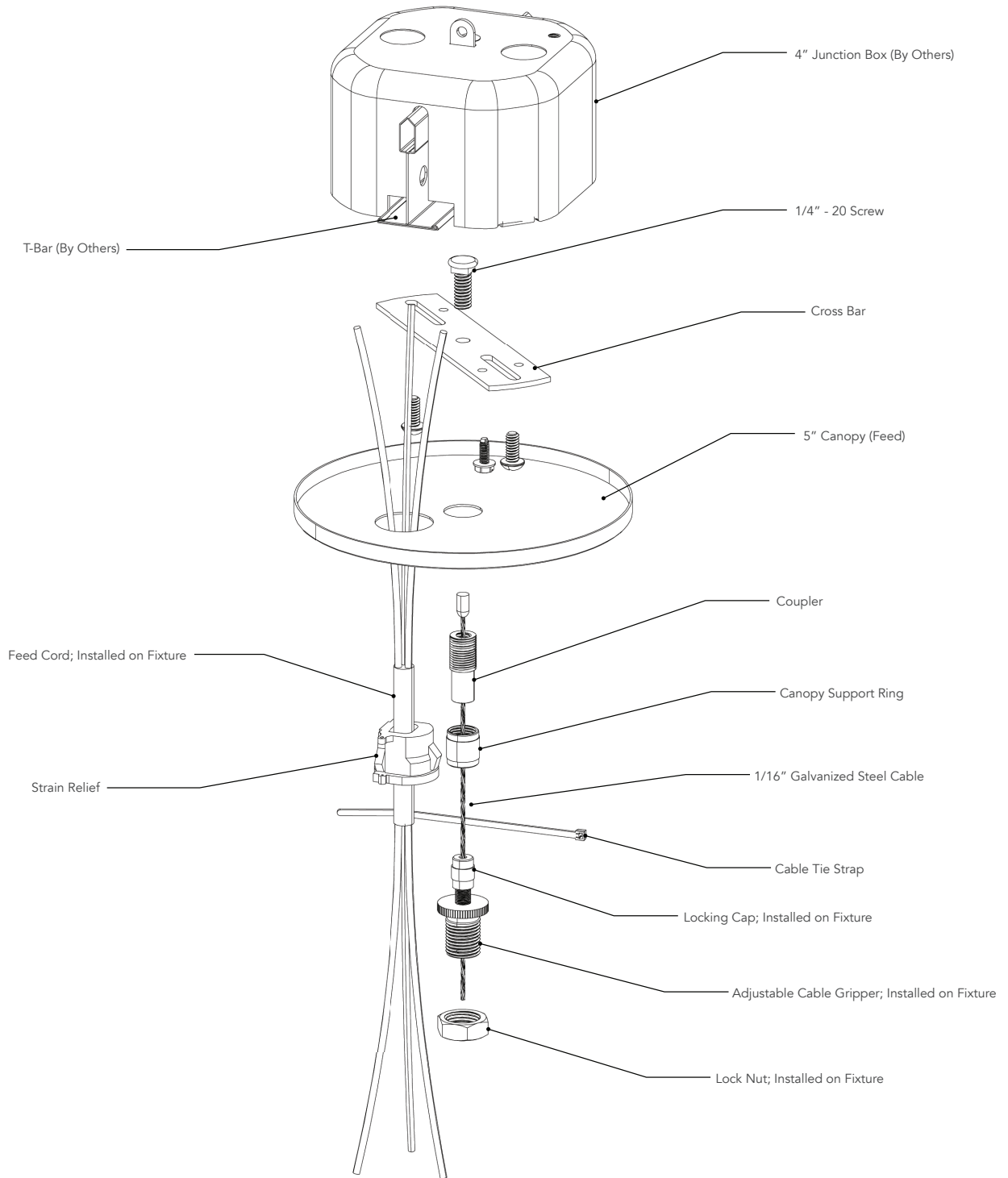
FIGURE 3 ON NEXT PAGE

**SAVE THESE INSTALLATION INSTRUCTIONS**

## Hanging Hardware Installation Instructions - T1, T9, & SC Grid (Continued)

On-Grid Mounting

**Figure 3**



**SAVE THESE INSTALLATION INSTRUCTIONS**

## Hanging Hardware Installation Instructions

Off-Grid Mounting

### NON FEED CABLE/CANOPY ASSEMBLY

**Step One:** Determine mounting cable spacing centers from factory shop drawing or order processing specification sheet.

**Step Two:** Install 1/4-20 studs projecting from the finished ceiling line 1/2".

**Step Three:** Insert the 1/16" galvanized steel cable supplied in kit through ceiling coupler in kit and attach to 1/4-20 stud securely. Remove threaded canopy support ring from coupler and slide canopy then support ring over cable and up to finished ceiling line. Tighten support ring to locate canopy in place.

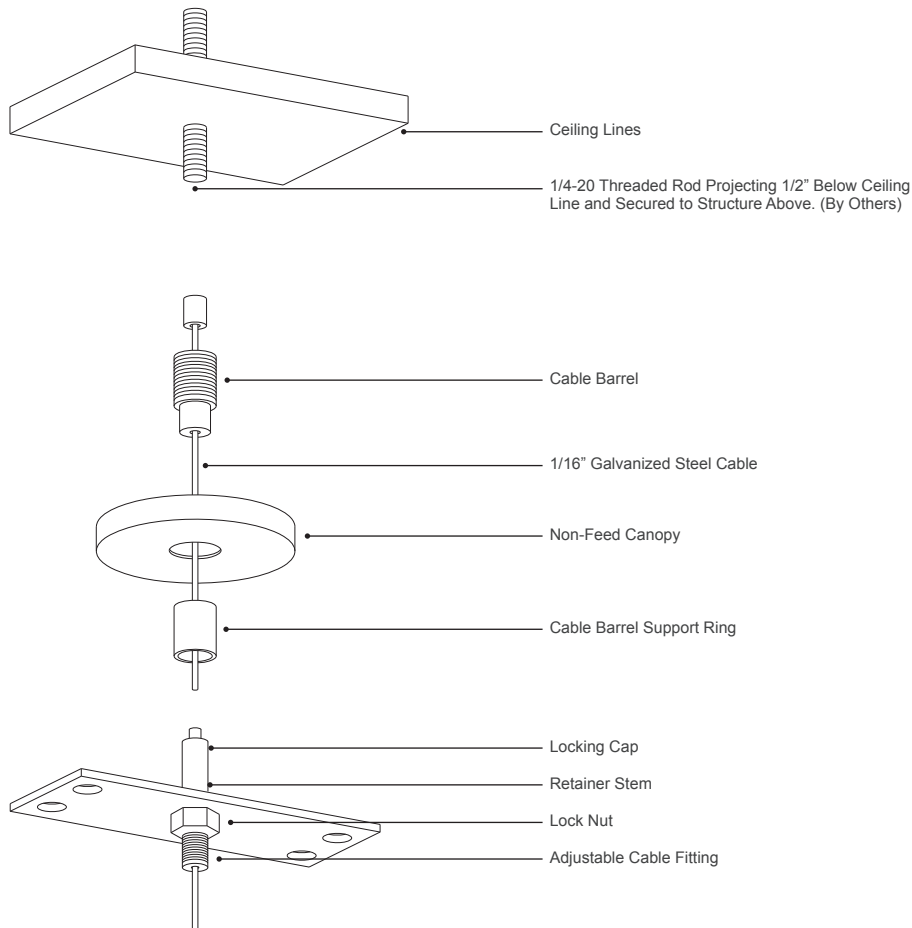
**Step Four:** Raise luminaire to cable assembly and route cable through the center of the adjustable cable fitting loosening the locking cap enough to allow cable to enter fitting. Feed cable through the adjustable fitting until desired mounting height is attained. Luminaire will be retained at the last point of adjustment. Tighten locking cap onto retainer stem. (REF FIG. 9)

NOTE: If it becomes necessary to re-adjust luminaire height, loosen locking cap and depress retainer stem while adjusting to desired position.

### WARNING

**BE CERTAIN TO SUPPORT LUMINAIRE INDEPENDENTLY OF CABLES WHEN DEPRESSING RETAINER STEM.**

Figure 4



**SAVE THESE INSTALLATION INSTRUCTIONS**



## Hanging Hardware Installation Instructions (Continued)

Off-Grid Mounting

### FEED CABLE/CANOPY ASSEMBLY

**Step One:** Determine mounting cable spacing centers from factory shop drawing or order processing specification sheet and locate a 4" octagonal junction box at location indicated for incoming wire feed point.

OPTION 1: Install cross strap support bracket to junction box with screws by others. Be sure junction box can support luminaire/luminaire row in accordance with local codes as illustrated.

OPTION 2: Drill a 5/16" dia hole in the roof of the junction box. Position and secure a 1/4-20 threaded rod (by others) to structural support above so that it passes through the hole drilled in the junction box and extends 1/2" below the finished ceiling line.

**Step Two:** Insert cable supplied in kit through ceiling coupler in kit and attach to 1/4-20 stud securely. Remove threaded canopy support ring from coupler and slide canopy then support ring over cable and up to finished ceiling line. Loosely tighten support ring to locate canopy in place. (REF. FIG 5)

**Step Three:** Raise luminaire to cable assembly and route cable through the center of the adjustable cable fitting loosening the locking cap enough to allow cable to enter fitting. Feed cable through the adjustable fitting until desired mounting height is attained. Luminaire will be retained at the last point of adjustment. Tighten locking cap onto retainer stem. (REF. PAGE 9)

**Step Four:** Remove canopy support ring and route feed cord from luminaire through grommated hole in canopy and into junction box. Connect feed cord to incoming power feed wires within j-box with appropriate connectors and install cord restraint as illustrated.

**Step Five:** Raise canopy up to finished ceiling line and locate with canopy support ring. Attach supplied tie straps around feed cord and cable at minimum of every 12".

NOTE: If it becomes necessary to re-adjust luminaire height, loosen locking cap and depress retainer stem while adjusting to desired position.

ENERGIZE AND CHECK FOR PROPER OPERATION.

### **WARNING**

**BE CERTAIN TO SUPPORT LUMINAIRE INDEPENDENTLY OF CABLES WHEN DEPRESSING RETAINER STEM.**

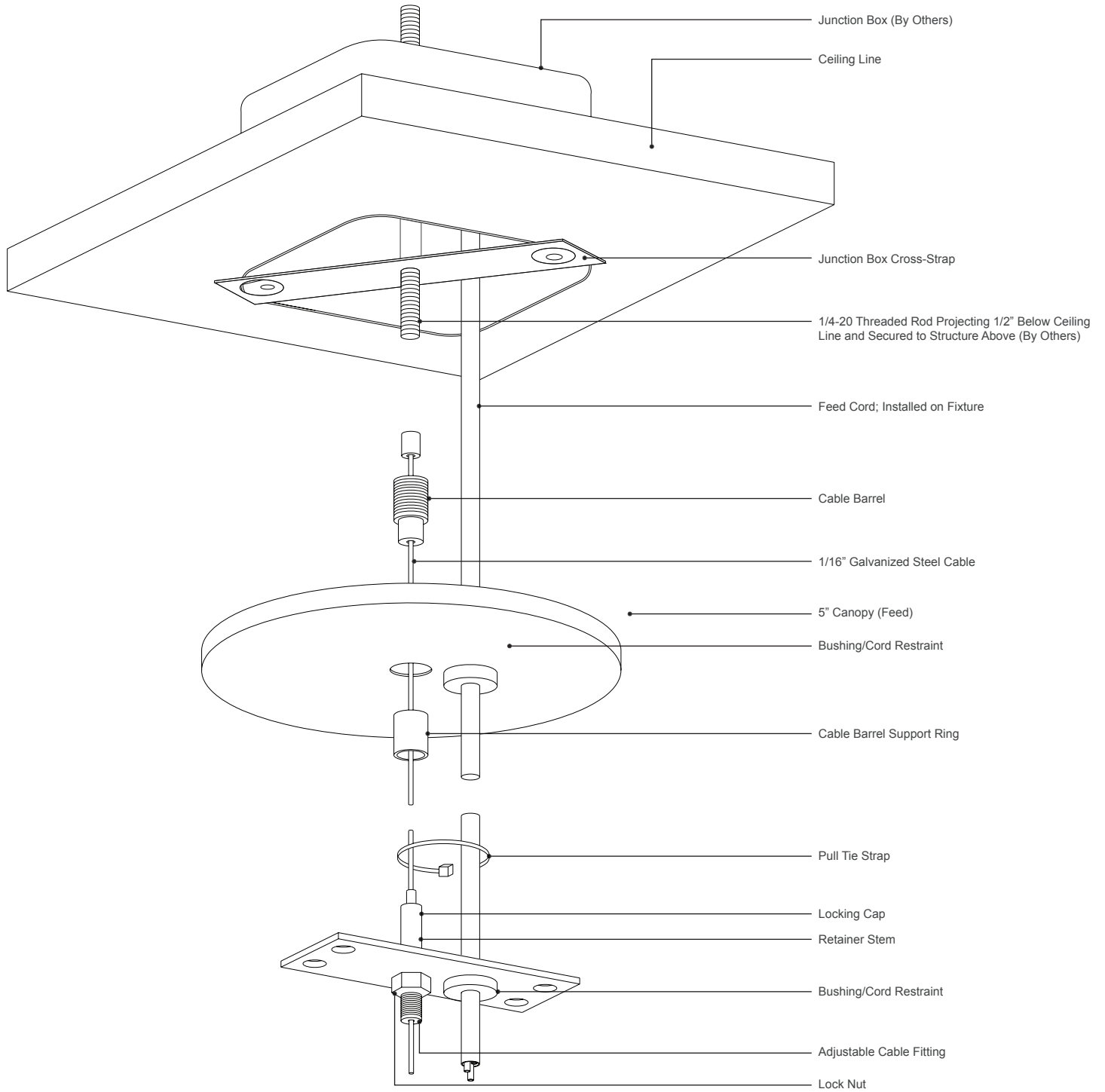
FIGURE 5 ON NEXT PAGE

**SAVE THESE INSTALLATION INSTRUCTIONS**

## Hanging Hardware Installation Instructions (Continued)

Off-Grid Mounting

**Figure 5**



**SAVE THESE INSTALLATION INSTRUCTIONS**



## Individual Fixture Installation

2SA Acoustic Series

**Step One:** Locate and remove fixture from packaging.

**Step Two:** Locate the suspension cable locations as shown in the specification sheet (view Spec Sheet), suspend the fixture by feeding the 1/16" galvanized steel cable through each cable gripper. Move and level the fixture to specified position and tighten the cable gripper nut to lock the 1/16" steel cable.

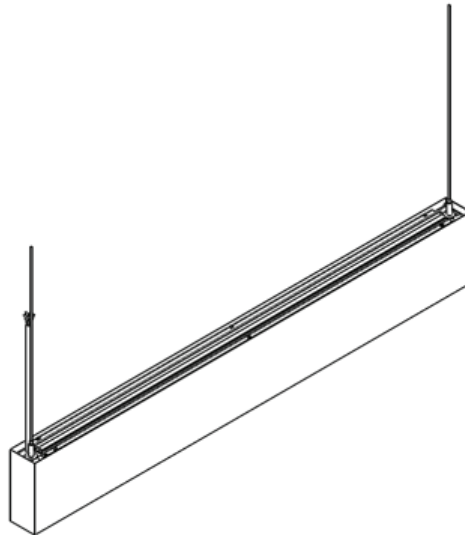
**Step Three:** Cut off excess aircraft cable with side cutters or similar.

**Step Four:** Leave approximately 1/2" for minor adjustments. (REF. FIG 7)

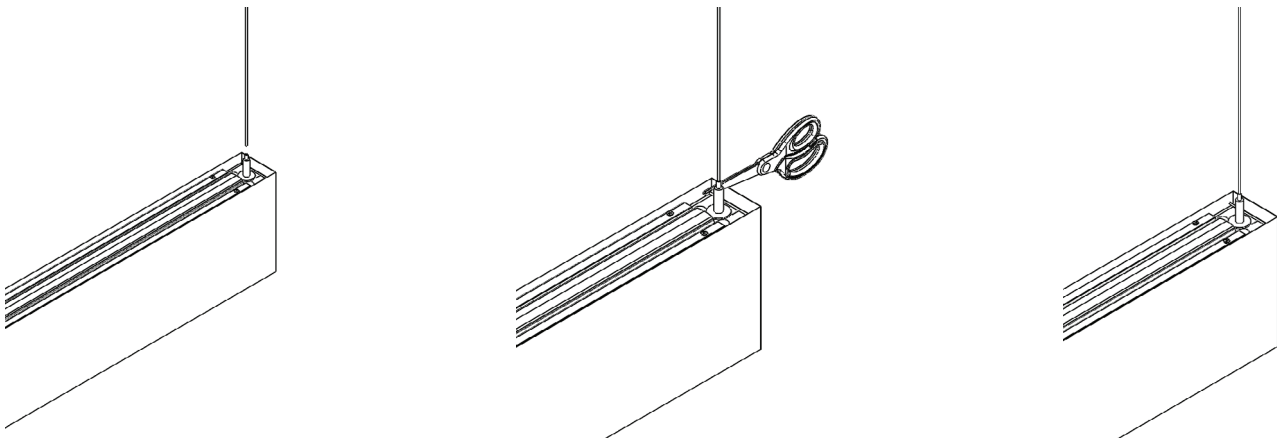
**Step Five:** Fixture Identification and electrical ratings are on a label located behind the direct lens. To access these labels, use a flat tool or card to pry off the direct lens at the power entry side's end-cap.

ENERGIZE AND CHECK FOR PROPER OPERATION.

### Figure 6



### Figure 7



**SAVE THESE INSTALLATION INSTRUCTIONS**